

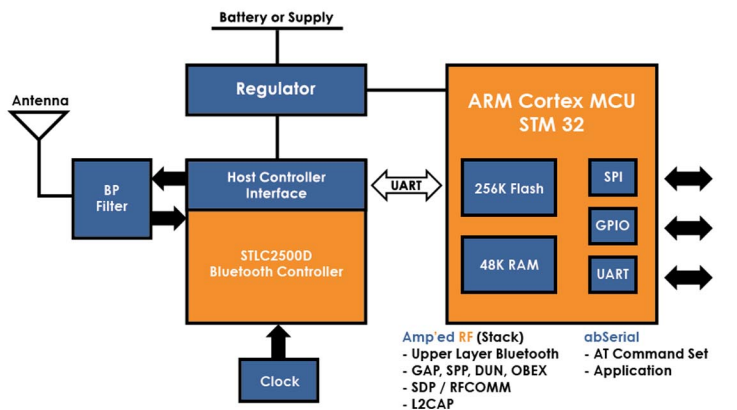
Bluetooth Serial Adapter

BT 120/121

The BT 120/121 is a serial adapter that provides fully embedded, ready to use Bluetooth wireless technology. The reprogrammable flash memory contains embedded firmware for serial cable replacement using the Bluetooth SPP profile.



Other popular Bluetooth profiles, such as OBEX, are also available. It is important to note that BT 120 adapter has a female connector and that the BT 121 has a male connector.



BT 120/121 Bluetooth Serial Adapter Block Diagram

Features:

- FCC & Bluetooth licensed radio
- Complete RF ready module
- Embedded profiles (SPP, OBEX, DUN)
- Bluetooth v2.1
- Wireless data communications
- ST Micro Cortex-M3 microprocessor up to 70MHz
- 256K bytes flash memory
- 48K bytes RAM memory
- UART, up to 2M bps
- Up to 2Mbps data throughput
- 128-bit encryption security
- Range 120m LOS
- SPI and I2C serial interfaces
- 16 general purpose I/O
- 4 x 12bit A/D inputs
- 1 DAC output
- AT command set
- Multipoint capability

Bluetooth Firmware

abSerial Standard Version

Bluetooth modules come standard with our powerful and flexible abSerial firmware. Controlling the module through any terminal software program is simple with ASCII AT-style commands.

abSerial Customized Version

Amp'ed RF offers custom firmware services, eliminating the need for customers to develop and perform firmware installation during production. This significantly reduces product cost, time and complexity.